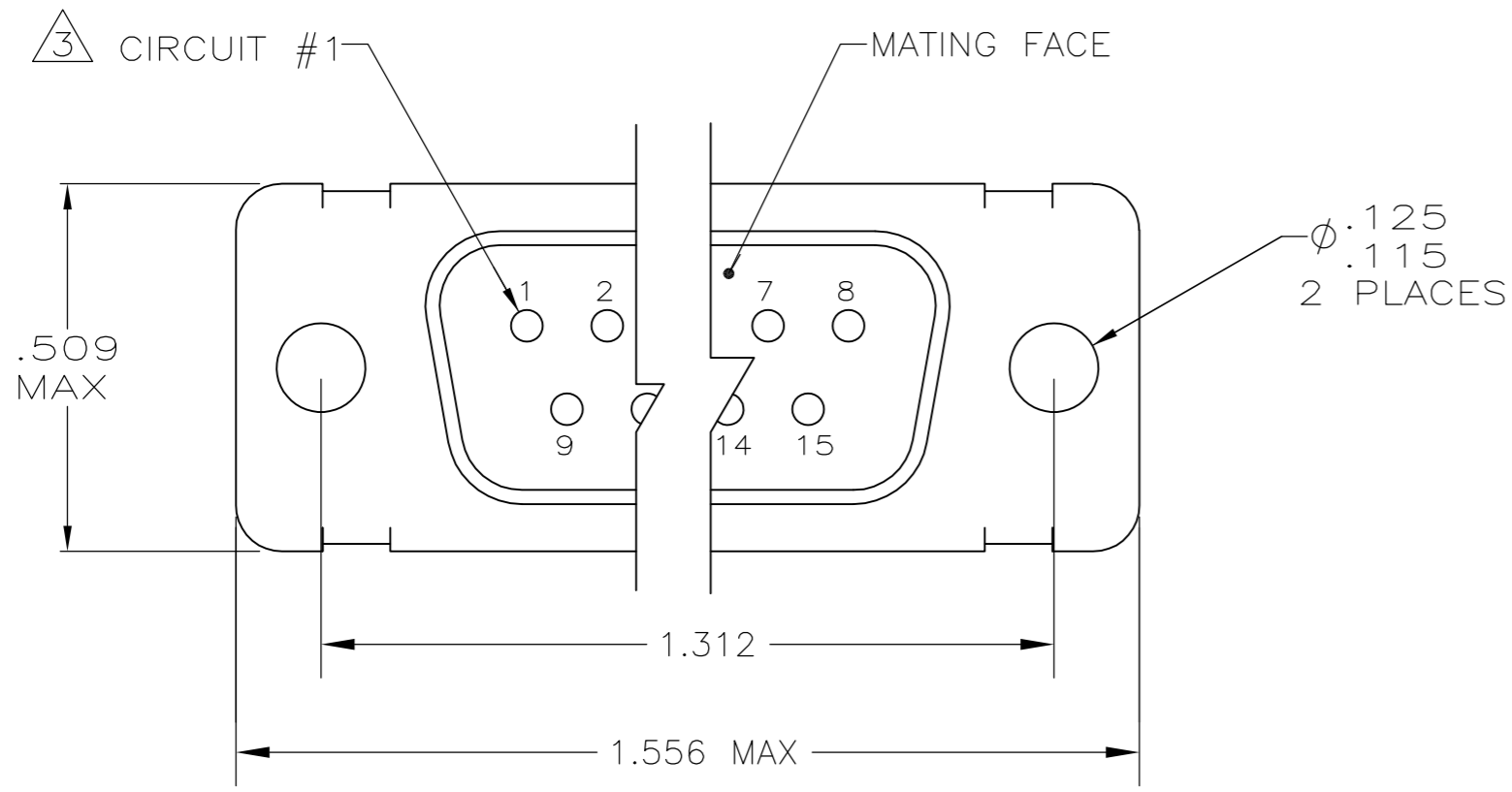
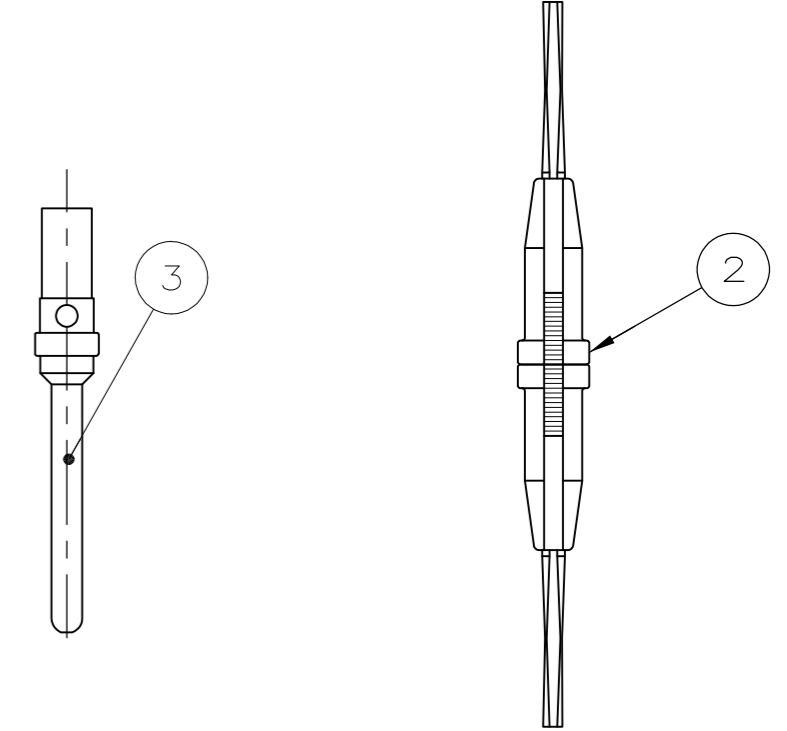
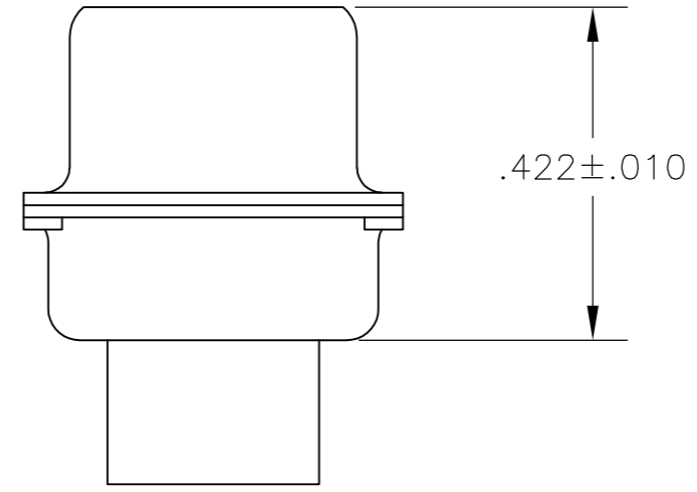
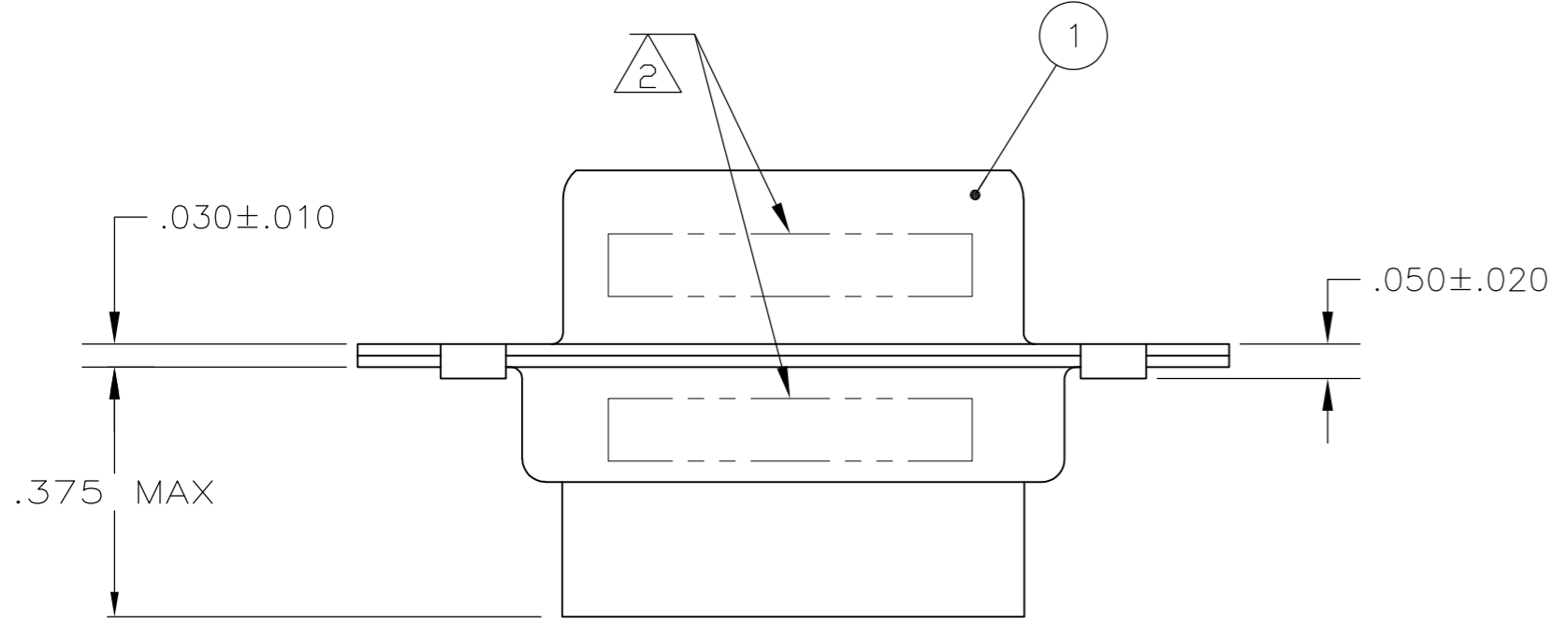


THIS DRAWING IS UNPUBLISHED. RELEASED FOR PUBLICATION
 © COPYRIGHT BY TYCO ELECTRONICS CORPORATION. ALL INTERNATIONAL RIGHTS RESERVED.

| LOC | | DIST | | REVISIONS | | | |
|-----|-----|-----------------------|--------|-----------|------|--|--|
| P | LTR | DESCRIPTION | DATE | DWN | APVD | | |
| | H | REV PER ECO 09-016309 | 9-1-09 | CT | RL | | |



- ① FOR CONNECTOR ASSEMBLIES, TE CONTACT PART NOS. 205089-1 MUST BE ORDERED SEPARATELY. CONNECTORS WITH CONTACTS ARE SUPPLIED WITH CONTACT 205089-1
- ② MARKING SHALL BE LOCATED ON PART AS FOLLOWS:
 - A. "M24308" ON FRONT SHELL, FAR SIDE.
 - B. SLASH SHEET AND DASH NUMBER ON REAR SHELL, FAR SIDE.
 - C. "MFG'S NAME, BRAND OR LOGO" AND DATE CODE ON FRONT SHELL, NEAR SIDE.
 - D. MFG'S PART NUMBER ON REAR SHELL, NEAR SIDE.



| | | | | | | |
|---|----------|-------------|-------------|----------|----------|----------|
| SUPERSEDED BY 206795-2 & 205089-1 & 91067-2 | 205558-5 | M24308/8-7F | 205089-1 | 91067-2 | 205164-2 | 205558-5 |
| | OBSOLETE | 205558-4 | M24308/8-2F | 205089-1 | - | 205558-4 |
| | | 205558-3 | M24308/4-7F | 205089-1 | 91067-2 | 205558-3 |
| | | 205558-2 | M24308/4-2F | 205089-1 | - | 205558-2 |
| SUPERSEDED BY 205164-1 AND 91067-2 | 205558-1 | - | - | 91067-2 | 205164-1 | 205558-1 |

| | | | | | | |
|--------------------------|--------------------------------|-------------------------|---|--------------------------------------|----------------------|-------------|
| TE P/N MARKED ON PACKAGE | MILITARY P/N MARKED ON PACKAGE | ③ PIN CONTACT QTY. = 15 | ① | ② INSERTION/EXTRACTION TOOL QTY. = 1 | ① PLUG ASSY QTY. = 1 | PART NUMBER |
|--------------------------|--------------------------------|-------------------------|---|--------------------------------------|----------------------|-------------|

THIS DRAWING IS A CONTROLLED DOCUMENT.

| | |
|-----------------------|---|
| DWN P. YEAGER 11MAR09 | Tyco Electronics Corporation Harrisburg, PA 17105-3608 |
| CHK R. LEASE 12MAR09 | |
| APVD R. LEASE 12MAR09 | |
| PRODUCT SPEC | |
| APPLICATION SPEC | NAME AMPLIMITE, KIT,HDM-20, SERIES, PLUG, SIZE 2, 15 POSITION |
| WEIGHT - | SIZE A2 CAGE CODE 00779 C=205558 |
| CUSTOMER DRAWING | RESTRICTED TO - |
| | SCALE 4:1 SHEET 1 of 1 REV H |